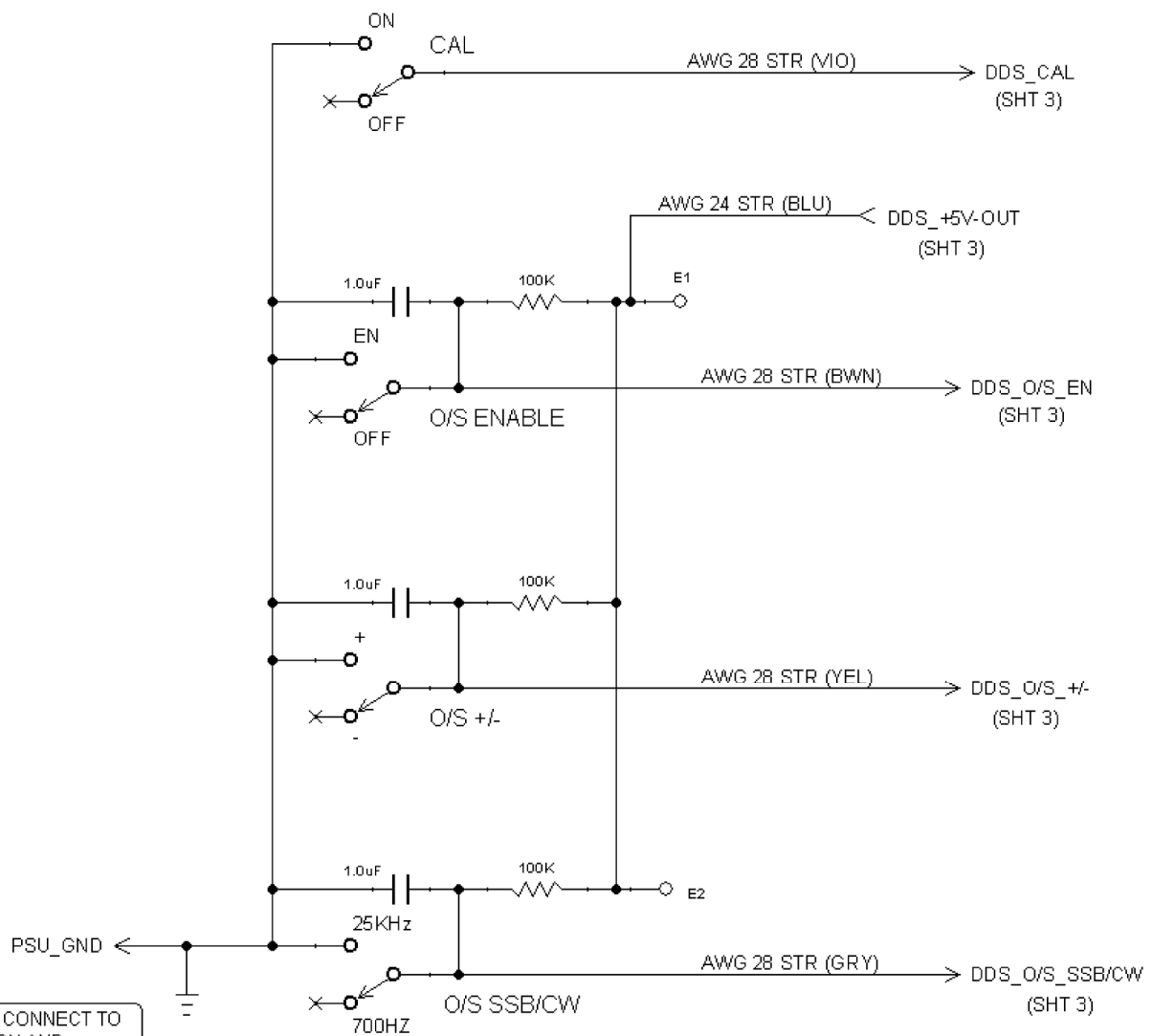
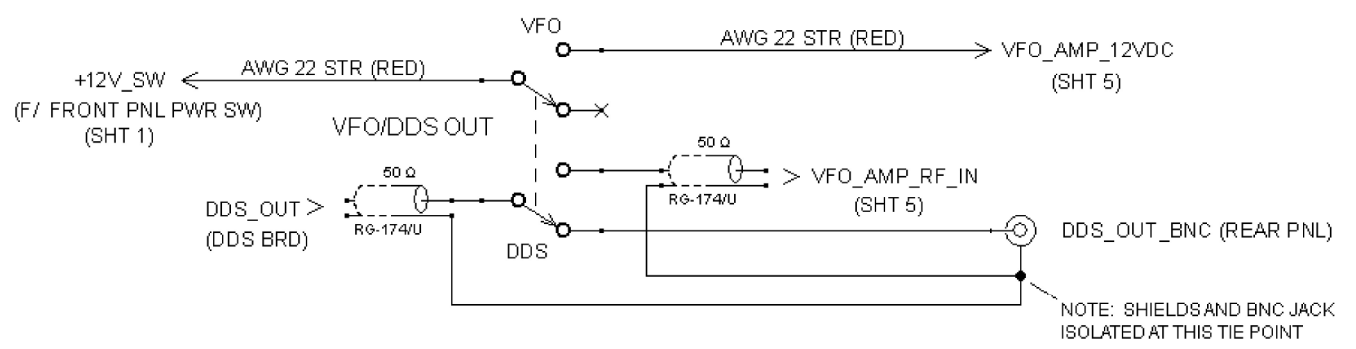


ALL GROUNDS CONNECT TO 6.3VAC COMMON AND 12VDC COMMON AND P1 PIN 2 (REAR PANEL) AND CHASSIS

Title DDS-VFO CABINET WIRING - SHT 1 - FRONT PANEL		
Author N5ESE		
File 3_CABINET_SHT_1_FRONT_PNL_20200820.dsn	Document	
Revision 1.0	Date 20200820	Sheets 1 of 5



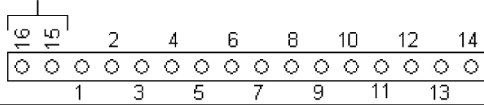
ALL GROUNDS CONNECT TO 6.3VAC COMMON AND 12VDC COMMON AND P1 PIN 2 (REAR PANEL) AND CHASSIS



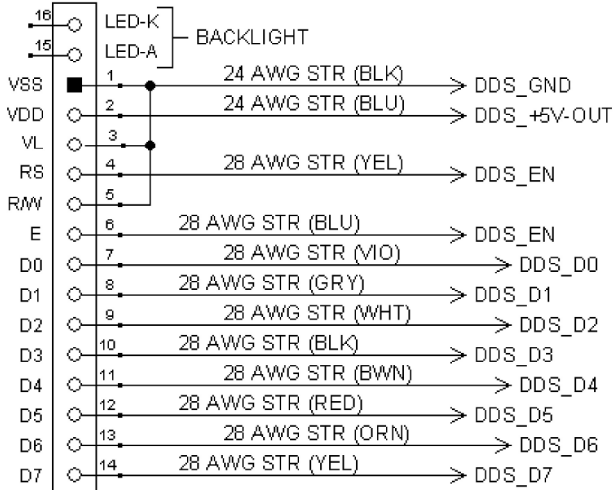
Title DDS-VFO CABINET WIRING - SHT 2 - REAR PNL SWITCHES		
Author N5ESE		
File _SHT 2 REAR PNL SWITCHES_20200820.dsn	Document	
Revision 1.0	Date 20200820	Sheets 2 of 5

(HANTRONIX LCD HDM16216-B)
(BACKSIDE VIEW)

NOTE THE WEIRD LOCATION OF PINS 15-16



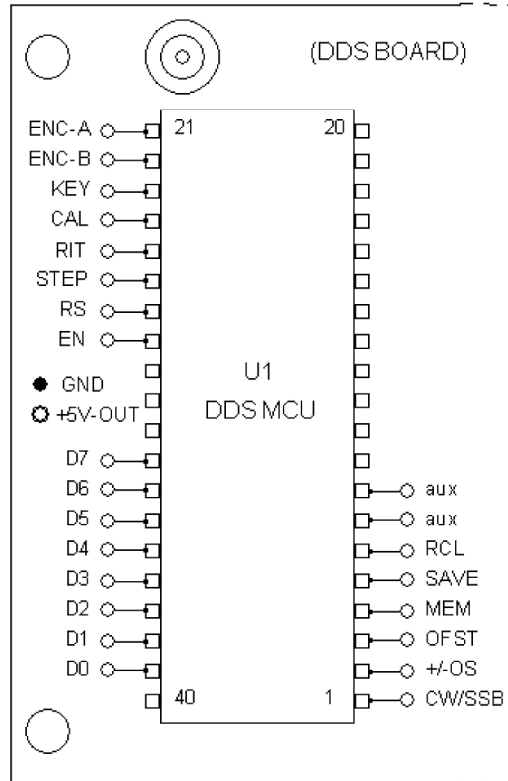
MATES WITH
PIN HEADER
ON LCD
(NOTE STRANGE
PIN NUMBERING)



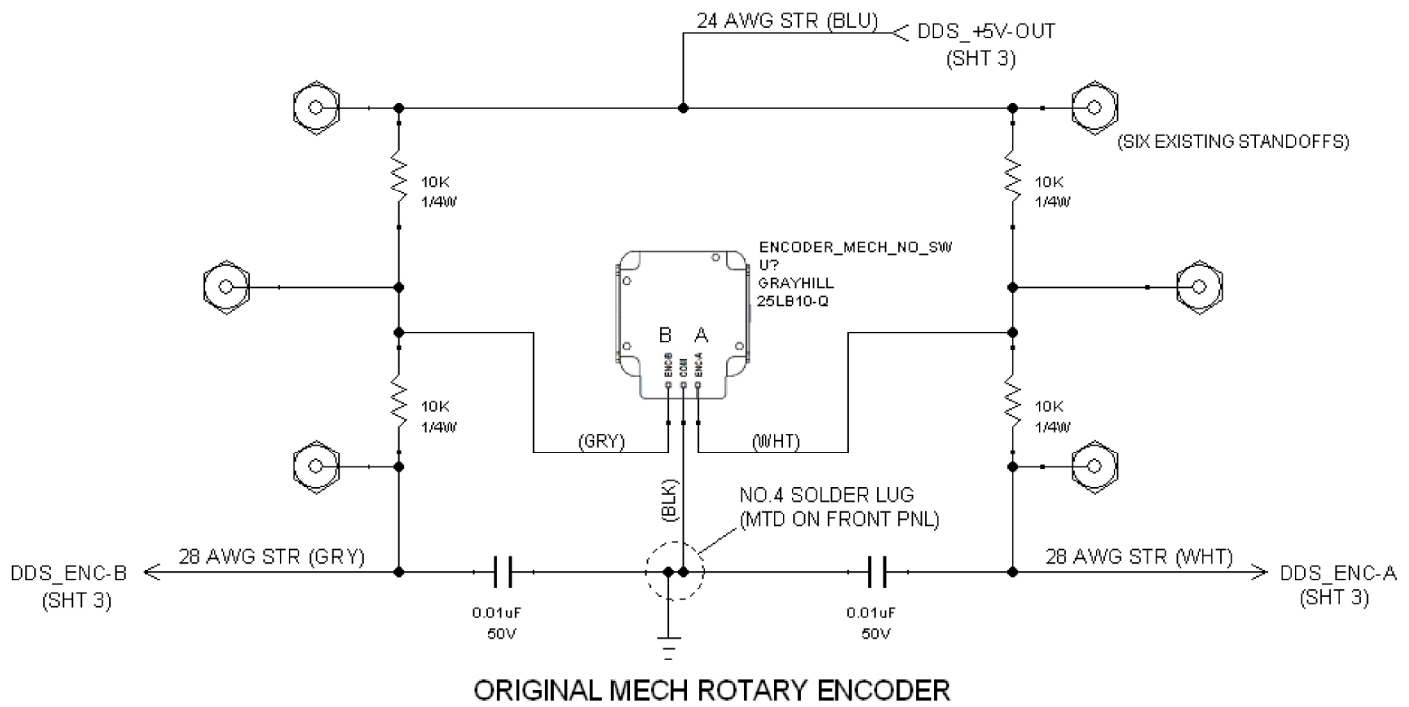
16x1 SIL SOCKET

NOTE: SIGNAL NAMES
SHOWN
ON THIS CONNECTOR
MATCH

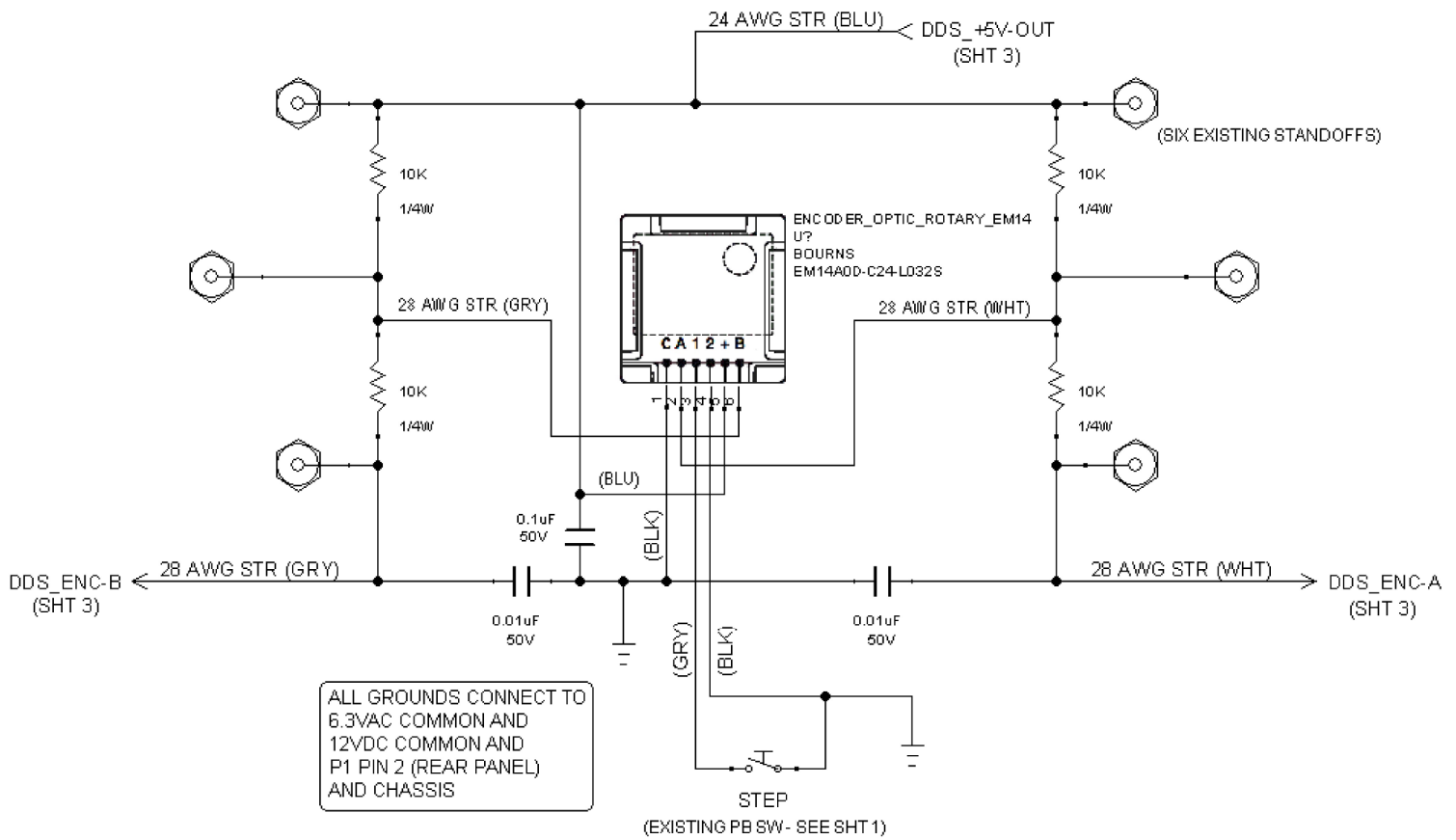
(DDS BOARD)



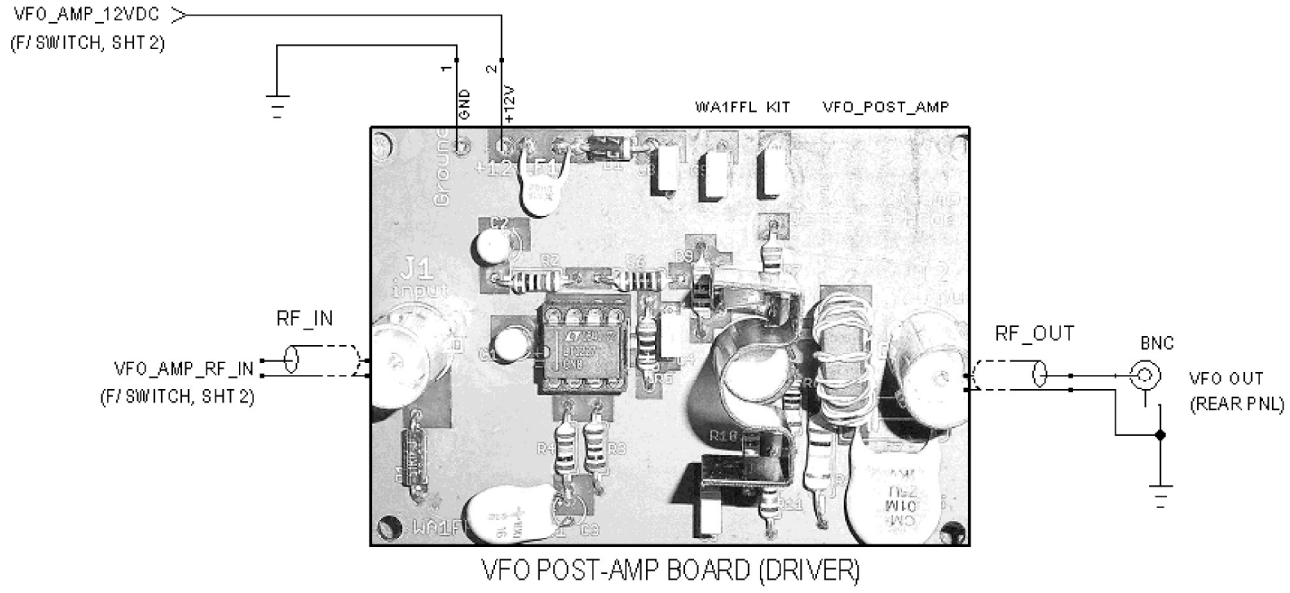
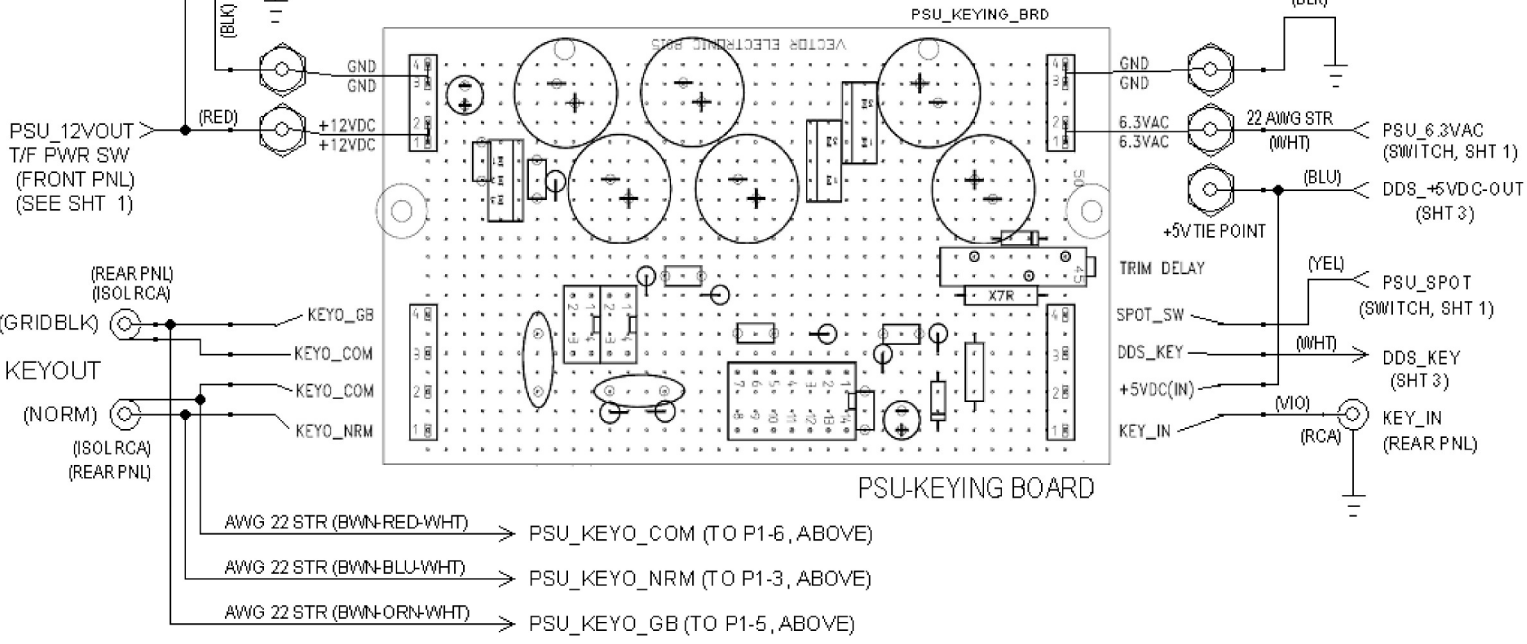
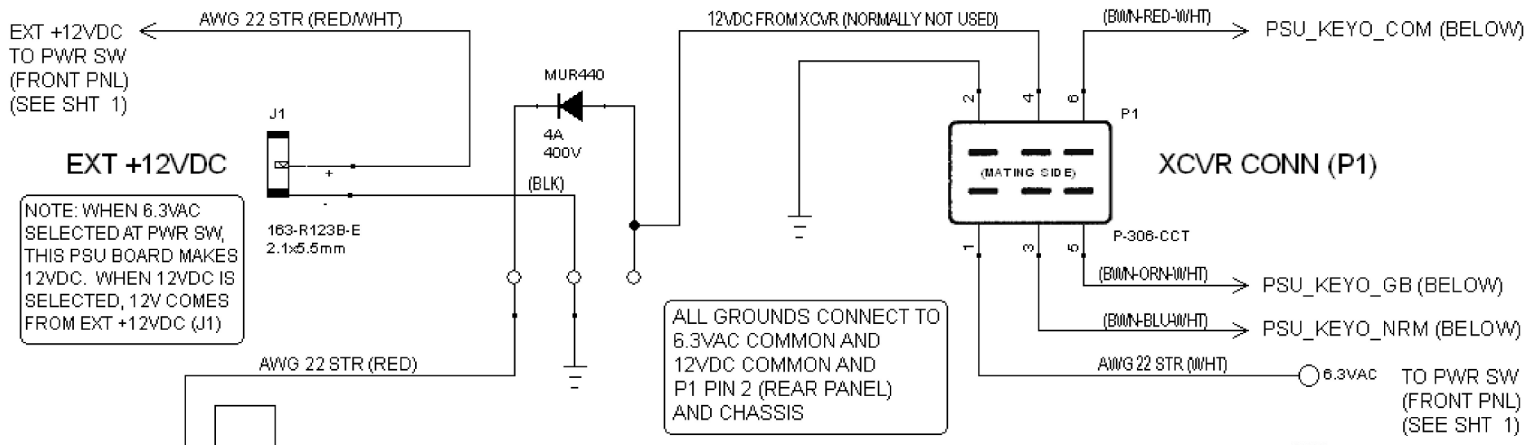
Title DDS-VFO CABINET WIRING - SHT 3 - LCD/DDS		
Author N5ESE		
File .BINET_SHT_3_LCD+DDS_CONN_20200820.dsn	Document	
Revision 1.0	Date 20200820	Sheets 3 of 5



ALTERNATE OPTICAL ROTARY ENCODER W/ SWITCH



Title DDS-VFO CABINET - SHT 4 - ROTARY ENCODER		
Author N5ESE		
File C:\CABINET_SHT_4_ENCODERS_20200820.dsn	Document	
Revision 1.1	Date 20200906	Sheets 1 of 1



Title DDS-VFO CABINET WIRING - SHT 5 - PSU + AMP + MISC		
Author N5ESE		
File .BINET_SHT_5_PSU+AMP+MISC_20200820.dsn	Document	
Revision 1.0	Date 20200820	Sheets 1 of 1